

1

2

3

4

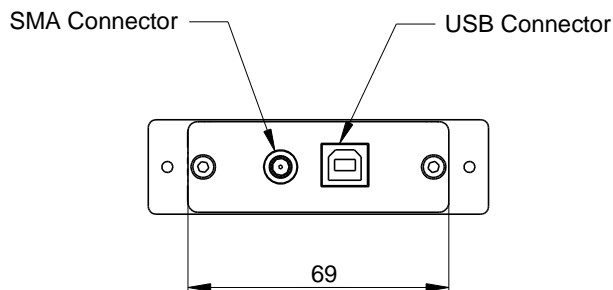
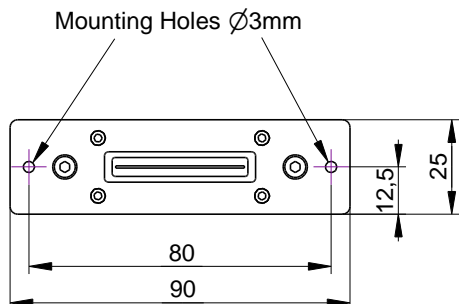
RevNo	Revision note	All dimensions are in mm			Date	Signature	Checked
-------	---------------	--------------------------	--	--	------	-----------	---------

A

A

B

B

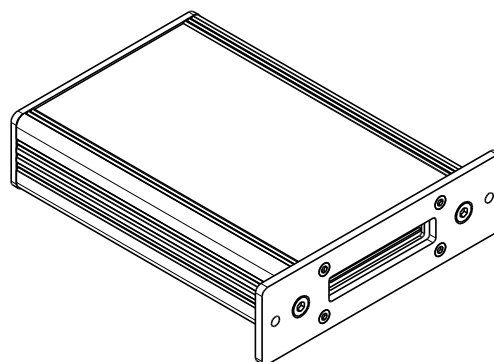
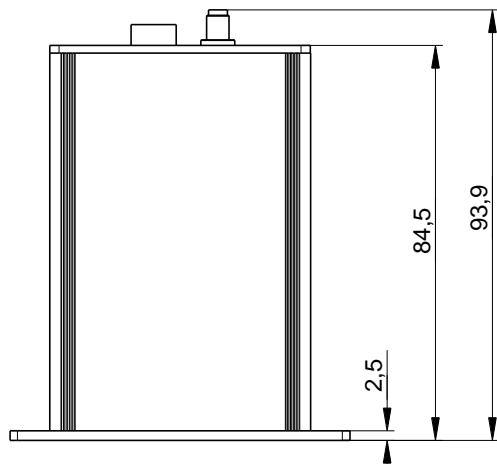


C

C

D

D



E

E

F

F

Itemref	Quantity	Title/Name, designation, material, dimension etc			Article No./Reference	
Drawn by JK	Checked by	Approved by - date	File name	Date 29.09. 2011	Scale 1:2	
NO PART OF THIS DRAWING MAY BE REPRODUCED OR TRANSMITTED IN ANY FORM OR BY ANY MEANS INCLUDING PHOTOCOPYING OR RECORDING WITHOUT THE PRIOR WRITTEN PERMISSION OF ALPHALAS GMBH			Digital Linear CCD Arrays with USB Interface Models: CCD-2000-D(-UV) / CCD-3600-D(-UV)		Edition 1.3	
			ALPHALAS GmbH Göttingen, Germany		Sheet 1/1	

1

4